

# LM339, LM239, LM2901, LM2901V, NCV2901, MC3302

## Single Supply Quad Comparators

These comparators are designed for use in level detection, low-level sensing and memory applications in consumer, automotive, and industrial electronic applications.

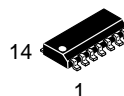
### Features

- Pb-Free Packages are Available\*
- Single or Split Supply Operation
- Low Input Bias Current: 25 nA (Typ)
- Low Input Offset Current:  $\pm 5.0$  nA (Typ)
- Low Input Offset Voltage
- Input Common Mode Voltage Range to GND
- Low Output Saturation Voltage: 130 mV (Typ) @ 4.0 mA
- TTL and CMOS Compatible
- ESD Clamps on the Inputs Increase Reliability without Affecting Device Operation

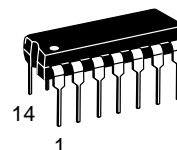


**ON Semiconductor®**

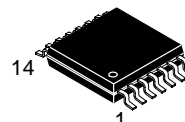
<http://onsemi.com>



**SOIC-14**  
**D SUFFIX**  
**CASE 751A**

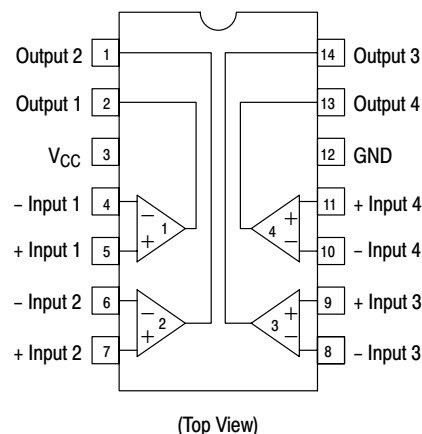


**PDIP-14**  
**N, P SUFFIX**  
**CASE 646**



**TSSOP-14**  
**DTB SUFFIX**  
**CASE 948G**

### PIN CONNECTIONS



### ORDERING INFORMATION

See detailed ordering and shipping information in the package dimensions section on page 7 of this data sheet.

### DEVICE MARKING INFORMATION

See general marking information in the device marking section on page 8 of this data sheet.

\*For additional information on our Pb-Free strategy and soldering details, please download the ON Semiconductor Soldering and Mounting Techniques Reference Manual, SOLDERRM/D.

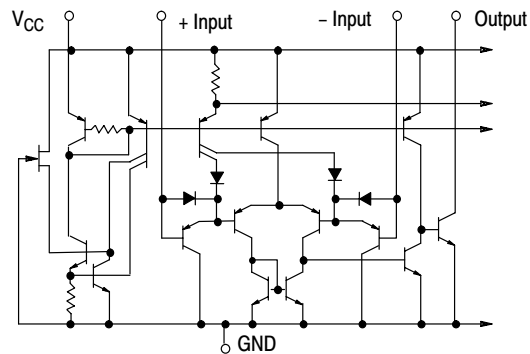
# LM339, LM239, LM2901, LM2901V, NCV2901, MC3302

## MAXIMUM RATINGS

Rating	Symbol	Value	Unit
Power Supply Voltage LM239/LM339/LM2901, V MC3302	$V_{CC}$	+36 or $\pm 18$ +30 or $\pm 15$	Vdc
Input Differential Voltage Range LM239/LM339/LM2901, V MC3302	$V_{IDR}$	36 30	Vdc
Input Common Mode Voltage Range	$V_{ICMR}$	$-0.3$ to $V_{CC}$	Vdc
Output Short Circuit to Ground (Note 1)	$I_{SC}$	Continuous	
Power Dissipation @ $T_A = 25^\circ\text{C}$ Plastic Package Derate above $25^\circ\text{C}$	$P_D$ $1/R_{\theta JA}$	1.0 8.0	W mW/ $^\circ\text{C}$
Junction Temperature	$T_J$	150	$^\circ\text{C}$
Operating Ambient Temperature Range LM239 MC3302 LM2901 LM2901V, NCV2901 LM339	$T_A$	-25 to +85 -40 to +85 -40 to +105 -40 to +125 0 to +70	$^\circ\text{C}$
Storage Temperature Range	$T_{stg}$	-65 to +150	$^\circ\text{C}$
ESD Protection at any Pin Human Body Model Machine Model	$V_{esd}$	2000 200	V

Maximum ratings are those values beyond which device damage can occur. Maximum ratings applied to the device are individual stress limit values (not normal operating conditions) and are not valid simultaneously. If these limits are exceeded, device functional operation is not implied, damage may occur and reliability may be affected.

1. The maximum output current may be as high as 20 mA, independent of the magnitude of  $V_{CC}$ . Output short circuits to  $V_{CC}$  can cause excessive heating and eventual destruction.



NOTE: Diagram shown is for 1 comparator.

**Figure 1. Circuit Schematic**

# LM339, LM239, LM2901, LM2901V, NCV2901, MC3302

## ELECTRICAL CHARACTERISTICS ( $V_{CC} = +5.0$ Vdc, $T_A = +25^\circ\text{C}$ , unless otherwise noted)

Characteristic	Symbol	LM239/339			LM2901/2901V/ NCV2901			MC3302			Unit
		Min	Typ	Max	Min	Typ	Max	Min	Typ	Max	
Input Offset Voltage (Note 3)	$V_{IO}$	–	$\pm 2.0$	$\pm 5.0$	–	$\pm 2.0$	$\pm 7.0$	–	$\pm 3.0$	$\pm 20$	mVdc
Input Bias Current (Notes 3, 4) (Output in Analog Range)	$I_{IB}$	–	25	250	–	25	250	–	25	500	nA
Input Offset Current (Note 3)	$I_{IO}$	–	$\pm 5.0$	$\pm 50$	–	$\pm 5.0$	$\pm 50$	–	$\pm 3.0$	$\pm 100$	nA
Input Common Mode Voltage Range	$V_{ICMR}$	0	–	$V_{CC} - 1.5$	0	–	$V_{CC} - 1.5$	0	–	$V_{CC} - 1.5$	V
Supply Current $R_L = \infty$ (For All Comparators) $R_L = \infty, V_{CC} = 30$ Vdc	$I_{CC}$	–	0.8 1.0	2.0 2.5	–	0.8 1.0	2.0 2.5	–	0.8 1.0	2.0 2.5	mA
Voltage Gain $R_L \geq 15$ k $\Omega$ , $V_{CC} = 15$ Vdc	$A_{VOL}$	50	200	–	25	100	–	25	100	–	V/mV
Large Signal Response Time $V_I =$ TTL Logic Swing, $V_{ref} = 1.4$ Vdc, $V_{RL} = 5.0$ Vdc, $R_L = 5.1$ k $\Omega$	–	–	300	–	–	300	–	–	300	–	ns
Response Time (Note 5) $V_{RL} = 5.0$ Vdc, $R_L = 5.1$ k $\Omega$	–	–	1.3	–	–	1.3	–	–	1.3	–	$\mu\text{s}$
Output Sink Current $V_I(-) \geq +1.0$ Vdc, $V_I(+)$ = 0, $V_O \leq 1.5$ Vdc	$I_{Sink}$	6.0	16	–	6.0	16	–	6.0	16	–	mA
Saturation Voltage $V_I(-) \geq +1.0$ Vdc, $V_I(+)$ = 0, $I_{sink} \leq 4.0$ mA	$V_{sat}$	–	130	400	–	130	400	–	130	500	mV
Output Leakage Current $V_I(+)$ $\geq +1.0$ Vdc, $V_I(-)$ = 0, $V_O = +5.0$ Vdc	$I_{OL}$	–	0.1	–	–	0.1	–	–	0.1	–	nA

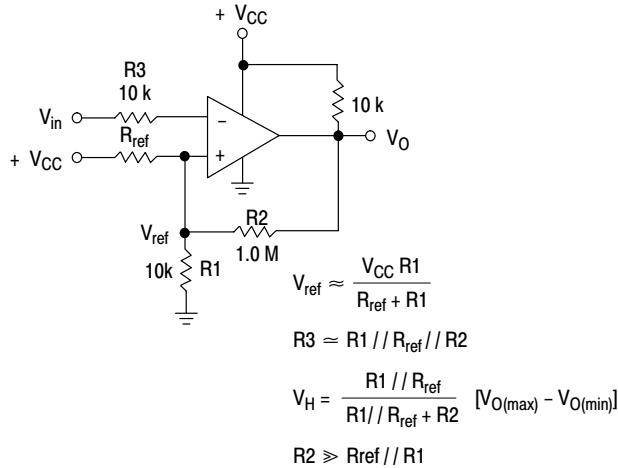
- (LM239)  $T_{low} = -25^\circ\text{C}$ ,  $T_{high} = +85^\circ\text{C}$   
(LM339)  $T_{low} = 0^\circ\text{C}$ ,  $T_{high} = +70^\circ\text{C}$   
(MC3302)  $T_{low} = -40^\circ\text{C}$ ,  $T_{high} = +85^\circ\text{C}$   
(LM2901)  $T_{low} = -40^\circ\text{C}$ ,  $T_{high} = +105^\circ\text{C}$   
(LM2901V & NCV2901)  $T_{low} = -40^\circ\text{C}$ ,  $T_{high} = +125^\circ\text{C}$   
*NCV2901 is qualified for automotive use.*
- At the output switch point,  $V_O \approx 1.4$  Vdc,  $R_S \leq 100 \Omega$   $5.0$  Vdc  $\leq V_{CC} \leq 30$  Vdc, with the inputs over the full common mode range (0 Vdc to  $V_{CC} - 1.5$  Vdc).
- The bias current flows out of the inputs due to the PNP input stage. This current is virtually constant, independent of the output state.
- The response time specified is for a 100 mV input step with 5.0 mV overdrive. For larger signals, 300 ns is typical.

# LM339, LM239, LM2901, LM2901V, NCV2901, MC3302

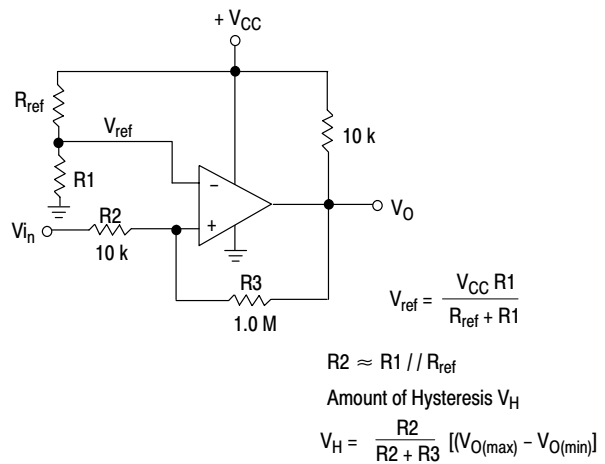
## PERFORMANCE CHARACTERISTICS (V<sub>CC</sub> = +5.0 Vdc, T<sub>A</sub> = T<sub>low</sub> to T<sub>high</sub> [Note 6])

Characteristic	Symbol	LM239/339			LM2901/2901V/ NCV2901			MC3302			Unit
		Min	Typ	Max	Min	Typ	Max	Min	Typ	Max	
Input Offset Voltage (Note 7)	V <sub>IO</sub>	-	-	±9.0	-	-	±15	-	-	±40	mVdc
Input Bias Current (Notes 7, 8) (Output in Analog Range)	I <sub>IB</sub>	-	-	400	-	-	500	-	-	1000	nA
Input Offset Current (Note 7)	I <sub>IO</sub>	-	-	±150	-	-	±200	-	-	±300	nA
Input Common Mode Voltage Range	V <sub>ICMR</sub>	0	-	V <sub>CC</sub> -2.0	0	-	V <sub>CC</sub> -2.0	0	-	V <sub>CC</sub> -2.0	V
Saturation Voltage  V <sub>I(-)</sub> ≥ +1.0 Vdc, V <sub>I(+)</sub> = 0, I <sub>sink</sub> ≤ 4.0 mA	V <sub>sat</sub>	-	-	700	-	-	700	-	-	700	mV
Output Leakage Current  V <sub>I(+)</sub> ≥ +1.0 Vdc, V <sub>I(-)</sub> = 0, V <sub>O</sub> = 30 Vdc	I <sub>OL</sub>	-	-	1.0	-	-	1.0	-	-	1.0	μA
Differential Input Voltage  All V <sub>I</sub> ≥ 0 Vdc	V <sub>ID</sub>	-	-	V <sub>CC</sub>	-	-	V <sub>CC</sub>	-	-	V <sub>CC</sub>	Vdc

6. (LM239) T<sub>low</sub> = -25°C, T<sub>high</sub> = +85°C  
 (LM339) T<sub>low</sub> = 0°C, T<sub>high</sub> = +70°C  
 (MC3302) T<sub>low</sub> = -40°C, T<sub>high</sub> = +85°C  
 (LM2901) T<sub>low</sub> = -40°C, T<sub>high</sub> = +105°C  
 (LM2901V & NCV2901) T<sub>low</sub> = -40°C, T<sub>high</sub> = +125°C  
*NCV2901 is qualified for automotive use.*
7. At the output switch point, V<sub>O</sub> ≈ 1.4 Vdc, R<sub>S</sub> ≤ 100 Ω 5.0 Vdc ≤ V<sub>CC</sub> ≤ 30 Vdc, with the inputs over the full common mode range (0 Vdc to V<sub>CC</sub> - 1.5 Vdc).
8. The bias current flows out of the inputs due to the PNP input stage. This current is virtually constant, independent of the output state.
9. The response time specified is for a 100 mV input step with 5.0 mV overdrive. For larger signals, 300 ns is typical.



**Figure 2. Inverting Comparator with Hysteresis**



**Figure 3. Noninverting Comparator with Hysteresis**

Typical Characteristics

( $V_{CC} = 15 \text{ Vdc}$ ,  $T_A = +25^\circ\text{C}$  (each comparator) unless otherwise noted.)

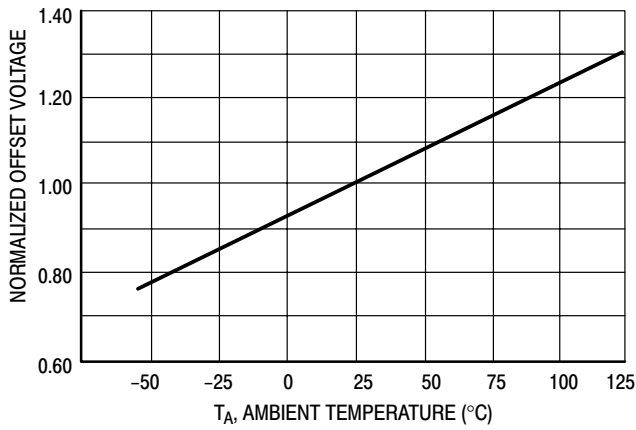


Figure 4. Normalized Input Offset Voltage

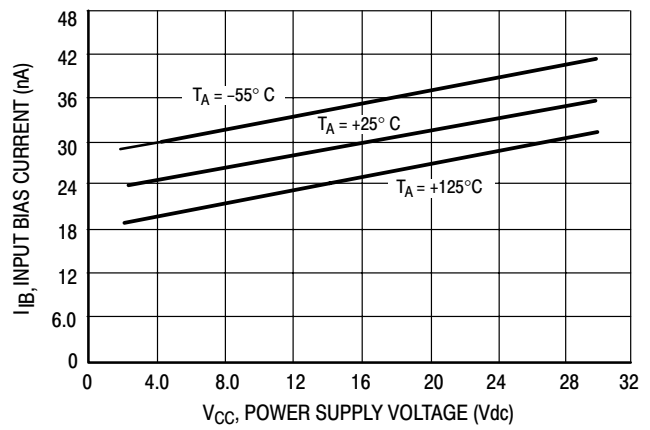


Figure 5. Input Bias Current

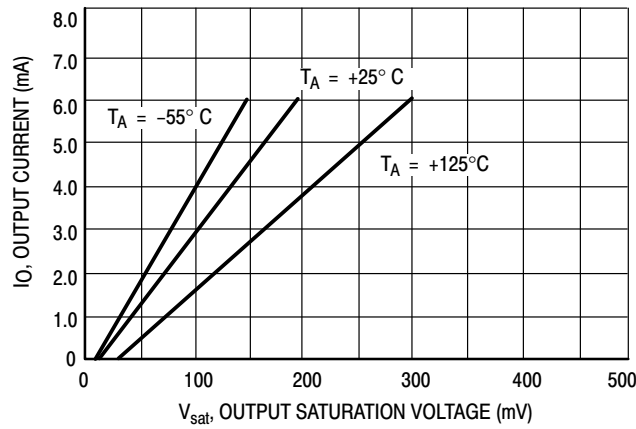
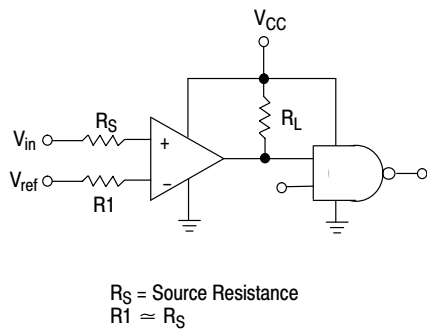


Figure 6. Output Sink Current versus Output Saturation Voltage



Logic	Device	$V_{CC}$ (V)	$R_L$ (k $\Omega$ )
CMOS	1/4 MC14001	+15	100
TTL	1/4 MC7400	+5.0	10

Figure 7. Driving Logic

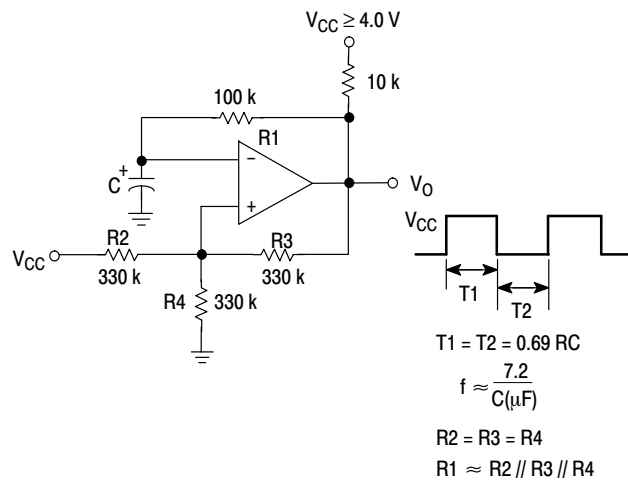


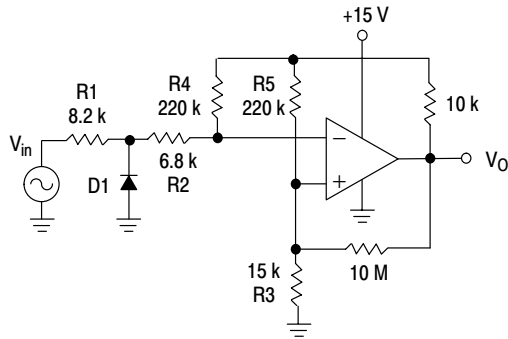
Figure 8. Squarewave Oscillator

APPLICATIONS INFORMATION

These quad comparators feature high gain, wide bandwidth characteristics. This gives the device oscillation tendencies if the outputs are capacitively coupled to the inputs via stray capacitance. This oscillation manifests itself during output transitions ( $V_{OL}$  to  $V_{OH}$ ). To alleviate this situation input resistors  $< 10\text{ k}\Omega$  should be used. The

addition of positive feedback ( $< 10\text{ mV}$ ) is also recommended. It is good design practice to ground all unused input pins.

Differential input voltages may be larger than supply voltages without damaging the comparator's inputs. Voltages more negative than  $-300\text{ mV}$  should not be used.

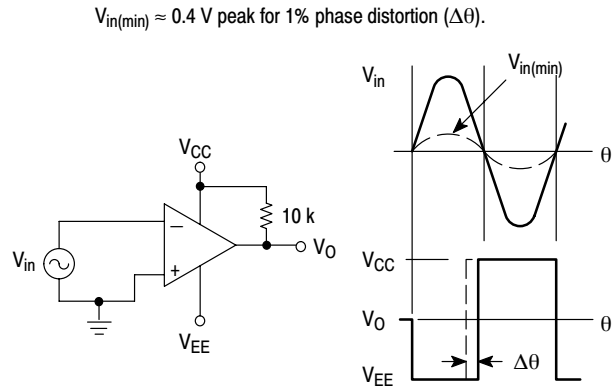


D1 prevents input from going negative by more than 0.6 V.

$$R1 + R2 = R3$$

$$R3 \leq \frac{R5}{10} \text{ for small error in zero crossing}$$

Figure 9. Zero Crossing Detector (Single Supply)



$V_{in(min)} \approx 0.4\text{ V}$  peak for 1% phase distortion ( $\Delta\theta$ ).

Figure 10. Zero Crossing Detector (Split Supplies)

# LM339, LM239, LM2901, LM2901V, NCV2901, MC3302

## ORDERING INFORMATION

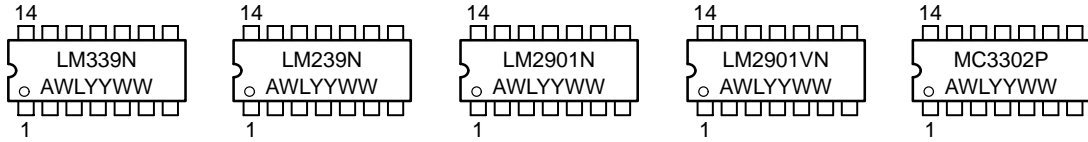
Device	Package	Shipping†
LM239D	SOIC-14	55 Units/Rail
LM239DG	SOIC-14 (Pb-Free)	55 Units/Rail
LM239DR2	SOIC-14	2500 Units/Tape & Reel
LM239DR2G	SOIC-14 (Pb-Free)	2500 Units/Tape & Reel
LM239DTBR2	TSSOP-14 (Pb-Free)	2500 Units/Tape & Reel
LM239N	PDIP-14	25 Units/Rail
LM239NG	PDIP-14 (Pb-Free)	25 Units/Rail
LM339D	SOIC-14	55 Units/Rail
LM339DG	SOIC-14 (Pb-Free)	55 Units/Rail
LM339DR2	SOIC-14	2500 Units/Tape & Reel
LM339DR2G	SOIC-14 (Pb-Free)	2500 Units/Tape & Reel
LM339DTBR2	TSSOP-14 (Pb-Free)	2500 Units/Tape & Reel
LM339N	PDIP-14	25 Units/Rail
LM339NG	PDIP-14 (Pb-Free)	25 Units/Rail
LM2901D	SOIC-14	55 Units/Rail
LM2901DR2	SOIC-14	2500 Units/Tape & Reel
LM2901DR2G	SOIC-14 (Pb-Free)	2500 Units/Tape & Reel
LM2901DTBR2	TSSOP-14 (Pb-Free)	2500 Units/Tape & Reel
LM2901N	PDIP-14	25 Units/Rail
LM2901NG	PDIP-14 (Pb-Free)	25 Units/Rail
LM2901VD	SOIC-14	55 Units/Rail
LM2901VDG	SOIC-14 (Pb-Free)	55 Units/Rail
LM2901VDR2	SOIC-14	2500 Units/Tape & Reel
LM2901VDR2G	SOIC-14 (Pb-Free)	2500 Units/Tape & Reel
LM2901VDTBR2	TSSOP-14 (Pb-Free)	2500 Units/Tape & Reel
LM2901VN	PDIP-14	25 Units/Rail
NCV2901DR2	SOIC-14	2500 Units/Tape & Reel
NCV2901DR2G	SOIC-14 (Pb-Free)	2500 Units/Tape & Reel
MC3302D	SOIC-14	55 Units/Rail
MC3302DR2	SOIC-14	2500 Units/Tape & Reel
MC3302DTBR2	TSSOP-14 (Pb-Free)	2500 Units/Tape & Reel
MC3302P	PDIP-14	25 Units/Rail

†For information on tape and reel specifications, including part orientation and tape sizes, please refer to our Tape and Reel Packaging Specifications Brochure, BRD8011/D.

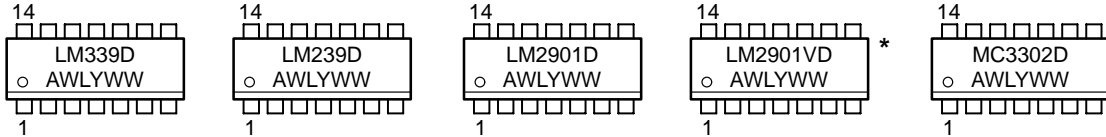
# LM339, LM239, LM2901, LM2901V, NCV2901, MC3302

## MARKING DIAGRAMS

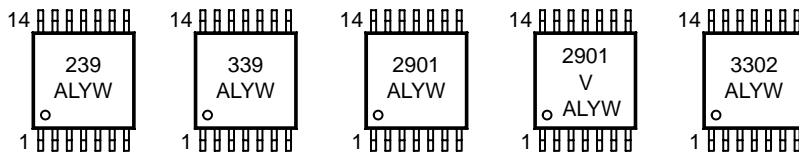
### PDIP-14 N, P SUFFIX CASE 646



### SOIC-14 D SUFFIX CASE 751A



### TSSOP-14 DTB SUFFIX CASE 948G



A = Assembly Location  
 WL, L = Wafer Lot  
 YY, Y = Year  
 WW, W = Work Week

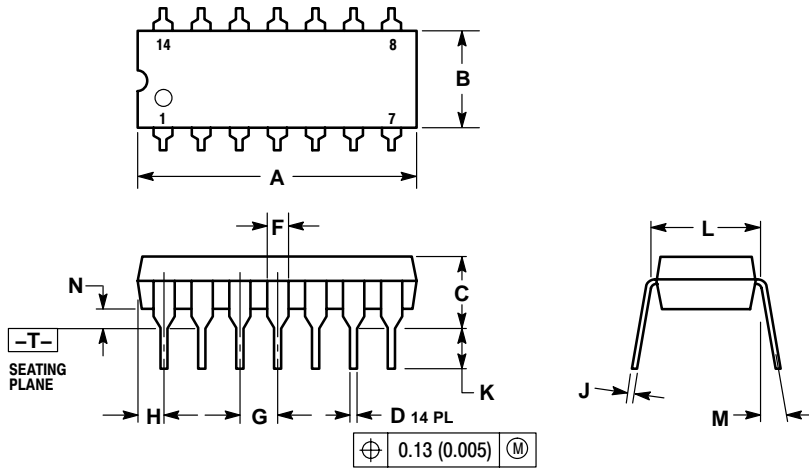
\*This marking diagram also applies to NCV2901.



# LM339, LM239, LM2901, LM2901V, NCV2901, MC3302

## PACKAGE DIMENSIONS

**PDIP-14**  
**P SUFFIX**  
CASE 646-06  
ISSUE M

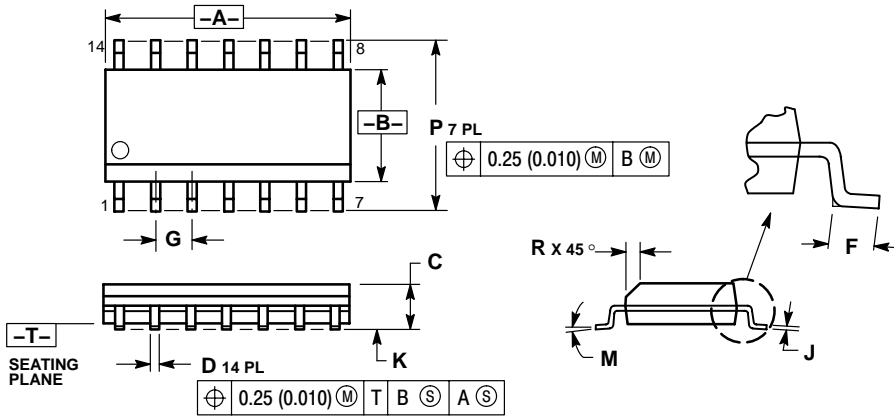


**NOTES:**

1. DIMENSIONING AND TOLERANCING PER ANSI Y14.5M, 1982.
2. CONTROLLING DIMENSION: INCH.
3. DIMENSION L TO CENTER OF LEADS WHEN FORMED PARALLEL.
4. DIMENSION B DOES NOT INCLUDE MOLD FLASH.
5. ROUNDED CORNERS OPTIONAL.

DIM	INCHES		MILLIMETERS	
	MIN	MAX	MIN	MAX
A	0.715	0.770	18.16	18.80
B	0.240	0.260	6.10	6.60
C	0.145	0.185	3.69	4.69
D	0.015	0.021	0.38	0.53
F	0.040	0.070	1.02	1.78
G	0.100 BSC		2.54 BSC	
H	0.052	0.095	1.32	2.41
J	0.008	0.015	0.20	0.38
K	0.115	0.135	2.92	3.43
L	0.290	0.310	7.37	7.87
M	---	10°	---	10°
N	0.015	0.039	0.38	1.01

**SOIC-14**  
**D SUFFIX**  
CASE 751A-03  
ISSUE G



**NOTES:**

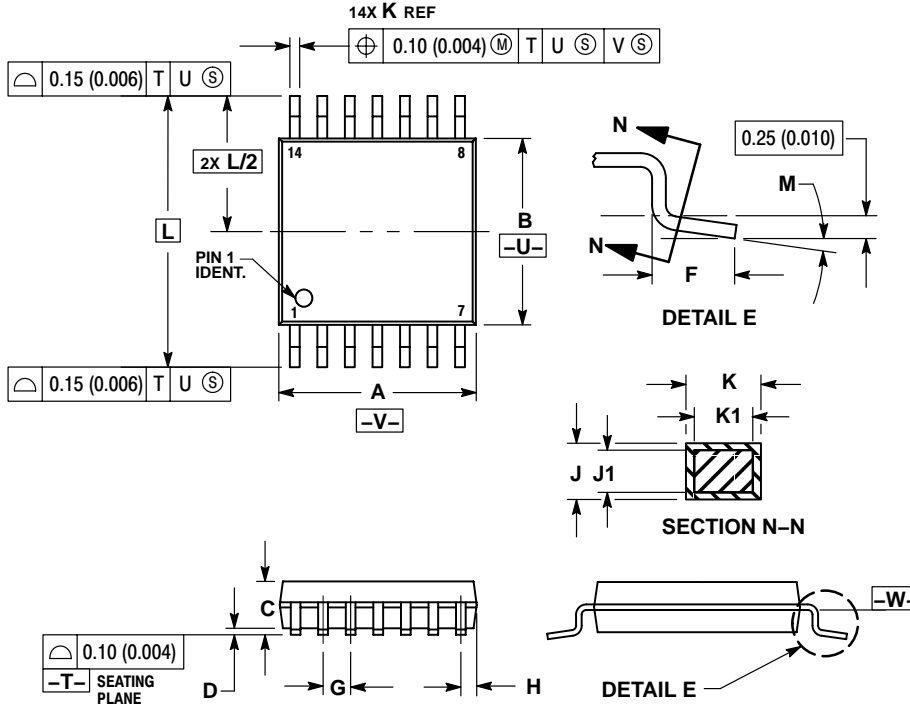
1. DIMENSIONING AND TOLERANCING PER ANSI Y14.5M, 1982.
2. CONTROLLING DIMENSION: MILLIMETER.
3. DIMENSIONS A AND B DO NOT INCLUDE MOLD PROTRUSION.
4. MAXIMUM MOLD PROTRUSION 0.15 (0.006) PER SIDE.
5. DIMENSION D DOES NOT INCLUDE DAMBAR PROTRUSION. ALLOWABLE DAMBAR PROTRUSION SHALL BE 0.127 (0.005) TOTAL IN EXCESS OF THE D DIMENSION AT MAXIMUM MATERIAL CONDITION.

DIM	MILLIMETERS		INCHES	
	MIN	MAX	MIN	MAX
A	8.55	8.75	0.337	0.344
B	3.80	4.00	0.150	0.157
C	1.35	1.75	0.054	0.068
D	0.35	0.49	0.014	0.019
F	0.40	1.25	0.016	0.049
G	1.27 BSC		0.050 BSC	
J	0.19	0.25	0.008	0.009
K	0.10	0.25	0.004	0.009
M	0°	7°	0°	7°
P	5.80	6.20	0.228	0.244
R	0.25	0.50	0.010	0.019

# LM339, LM239, LM2901, LM2901V, NCV2901, MC3302

## PACKAGE DIMENSIONS

TSSOP-14  
DTB SUFFIX  
CASE 948G-01  
ISSUE O



### NOTES:

1. DIMENSIONING AND TOLERANCING PER ANSI Y14.5M, 1982.
2. CONTROLLING DIMENSION: MILLIMETER.
3. DIMENSION A DOES NOT INCLUDE MOLD FLASH, PROTRUSIONS OR GATE BURRS. MOLD FLASH OR GATE BURRS SHALL NOT EXCEED 0.15 (0.006) PER SIDE.
4. DIMENSION B DOES NOT INCLUDE INTERLEAD FLASH OR PROTRUSION. INTERLEAD FLASH OR PROTRUSION SHALL NOT EXCEED 0.25 (0.010) PER SIDE.
5. DIMENSION K DOES NOT INCLUDE DAMBAR PROTRUSION. ALLOWABLE DAMBAR PROTRUSION SHALL BE 0.08 (0.003) TOTAL IN EXCESS OF THE K DIMENSION AT MAXIMUM MATERIAL CONDITION.
6. TERMINAL NUMBERS ARE SHOWN FOR REFERENCE ONLY.
7. DIMENSION A AND B ARE TO BE DETERMINED AT DATUM PLANE -W-.

DIM	MILLIMETERS		INCHES	
	MIN	MAX	MIN	MAX
A	4.90	5.10	0.193	0.200
B	4.30	4.50	0.169	0.177
C	---	1.20	---	0.047
D	0.05	0.15	0.002	0.006
F	0.50	0.75	0.020	0.030
G	0.65 BSC		0.026 BSC	
H	0.50	0.60	0.020	0.024
J	0.09	0.20	0.004	0.008
J1	0.09	0.16	0.004	0.006
K	0.19	0.30	0.007	0.012
K1	0.19	0.25	0.007	0.010
L	6.40 BSC		0.252 BSC	
M	0°	8°	0°	8°

ON Semiconductor and are registered trademarks of Semiconductor Components Industries, LLC (SCILLC). SCILLC reserves the right to make changes without further notice to any products herein. SCILLC makes no warranty, representation or guarantee regarding the suitability of its products for any particular purpose, nor does SCILLC assume any liability arising out of the application or use of any product or circuit, and specifically disclaims any and all liability, including without limitation special, consequential or incidental damages. "Typical" parameters which may be provided in SCILLC data sheets and/or specifications can and do vary in different applications and actual performance may vary over time. All operating parameters, including "Typicals" must be validated for each customer application by customer's technical experts. SCILLC does not convey any license under its patent rights nor the rights of others. SCILLC products are not designed, intended, or authorized for use as components in systems intended for surgical implant into the body, or other applications intended to support or sustain life, or for any other application in which the failure of the SCILLC product could create a situation where personal injury or death may occur. Should Buyer purchase or use SCILLC products for any such unintended or unauthorized application, Buyer shall indemnify and hold SCILLC and its officers, employees, subsidiaries, affiliates, and distributors harmless against all claims, costs, damages, and expenses, and reasonable attorney fees arising out of, directly or indirectly, any claim of personal injury or death associated with such unintended or unauthorized use, even if such claim alleges that SCILLC was negligent regarding the design or manufacture of the part. SCILLC is an Equal Opportunity/Affirmative Action Employer. This literature is subject to all applicable copyright laws and is not for resale in any manner.

### PUBLICATION ORDERING INFORMATION

**LITERATURE FULFILLMENT:**  
Literature Distribution Center for ON Semiconductor  
P.O. Box 61312, Phoenix, Arizona 85062-1312 USA  
**Phone:** 480-829-7710 or 800-344-3860 Toll Free USA/Canada  
**Fax:** 480-829-7709 or 800-344-3867 Toll Free USA/Canada  
**Email:** orderlit@onsemi.com

**N. American Technical Support:** 800-282-9855 Toll Free USA/Canada

**Japan:** ON Semiconductor, Japan Customer Focus Center  
2-9-1 Kamimeguro, Meguro-ku, Tokyo, Japan 153-0051  
**Phone:** 81-3-5773-3850

**ON Semiconductor Website:** <http://onsemi.com>

**Order Literature:** <http://www.onsemi.com/litorder>

For additional information, please contact your local Sales Representative.

This datasheet has been download from:

[www.datasheetcatalog.com](http://www.datasheetcatalog.com)

Datasheets for electronics components.